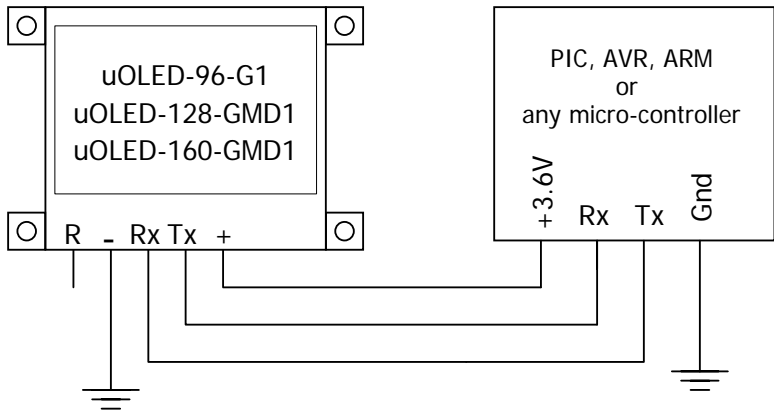
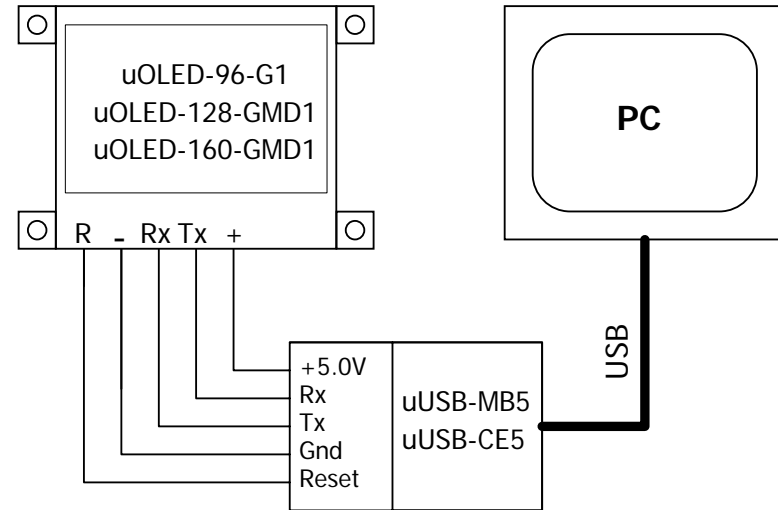


3.6Volt System



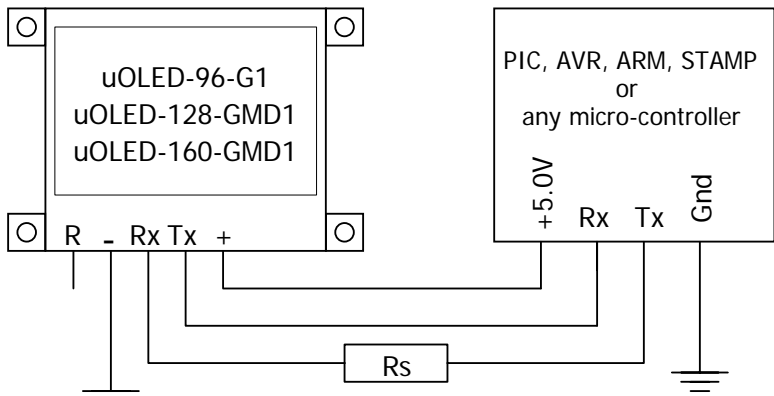
PC USB to SERIAL

(for PmmC uploads or Graphics Composer)



Note: Tx/Rx levels are at 3.3Volts

5.0Volt System



Rs: 100 to 1000 Ohms

Note: Use lower Rs value if higher value not effective

ALTERNATIVE PC RS232

