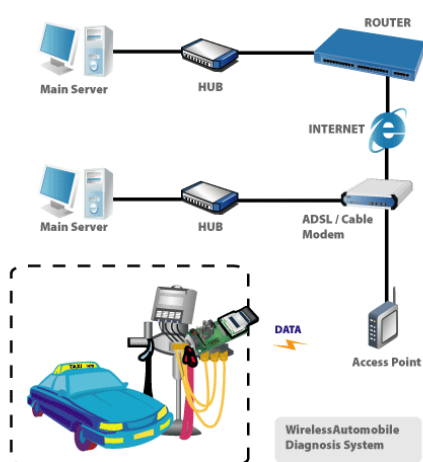


EasyWay to the
INTERNET

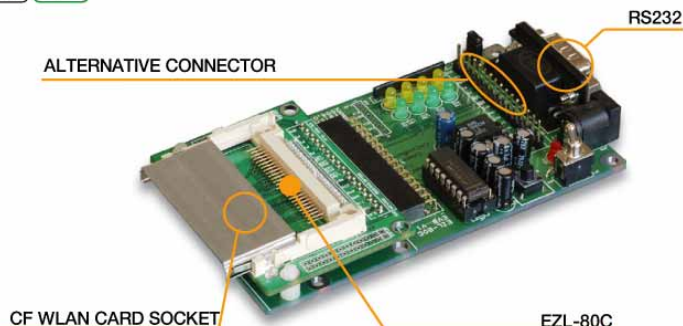
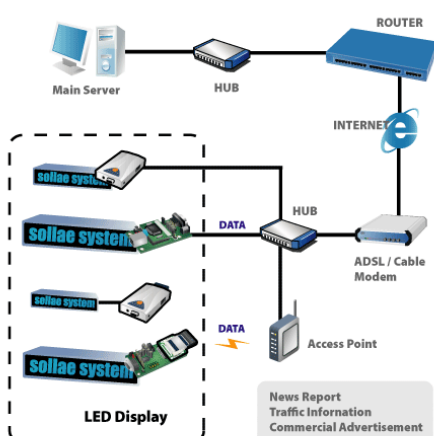
EZL-90

Application Examples

Automobile Diagnosis Equipment



Advertisement System



- Wireless Access, Monitor, Manage and Control devices over a wireless LAN
- RS232 Interface
- Supports INFRASTRUCTURE & AD-HOC
- Supports DHCP
- Supports variety of TCP/UDP host connecting modes
- AT commands to control network connection
- Easy configuration utilities Via network or serial (ezConfig, ezSerialConfig)
- Virtual COM Port Redirector (ezVSP) included
- Firmware is upgradable through the serial port
- Environmentally-friendly RoHS compliant

EZL-90 is a wireless networking module for who want to embed wireless connectivity in their products easily and economically.

The compact EZL-90 board adds network connectivity to your devices with a serial interface on its host microcontroller.

It reduces cost, risk and shortens development time to add networking capability as a standard feature.

It adds network connectivity to your devices by processing TCP/IP protocol which is required to send and receive data over the Internet.

It is possible to extend the distance of serial communications without any change of your legacy systems or replace direct serial connection.

So your devices can be wirelessly controlled, managed and monitored over the Internet.



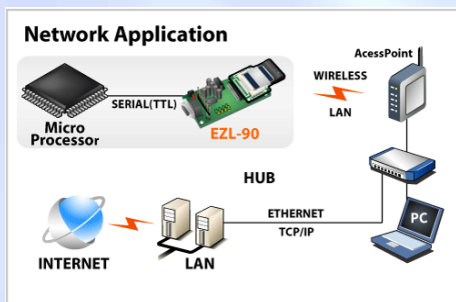
Sollae Systems Co., Ltd.

<http://www.sollae.co.kr> Tel +82-32-245-2323 Fax +82-32-245-2327

607 DAELIM BLDG. 592-5 DOHWA1-DONG. NAM-GU INCHEON 402-711 KOREA (REPUBLIC OF)

General Information : ezTCP@sollae.co.kr Sales&Distribution : sales@ezTCP.com Technical Support : support@sollae.co.kr

System Diagram



Specifications

*Serial Physical Interface

Serial Interface :

RS232 - RXD, TXD, RTS, CTS

±15KV ESD Protection

Connector : DB9M DTE Connector

*Serial Port Property

Baudrate: 1200 bps ~ 115200 bps

Data Bits: 7, 8 bits

Parity: None, Even, Odd

Stop Bit: 1 bit

Flow Control: RTS/CTS Hardware, Xon/Xoff Software

* Network Physical Interface

Wireless LAN :

CF Card Socket

Intersil PRISM compliant chipset card support

IEEE802.11b, infrastructure/adhoc, WEP

* Software Functions

Protocols :

TCP, UDP, IP, ICMP, ARP, DHCP

Security :

IP filtering - Restrict host

Password for Configuring

Communication Mode :

TCP server (T2S)

TCP client (COD)

TCP server/client with AT command (ATC)

UDP mode (U2S)

* Indicators(LEDs)

Power: Red,

Status: Yellow, The current status

wireless LAN: Link, RXD, TXD

Serial: RXD, TXD, RTS, CTS

* Processors

CPU: Atmel AVR

ROM: 64K bytes Flash Memory

RAM: 4K bits SDRAM

* Management

ezConfig: Configuration and Monitoring Tool through wireless LAN

ezSerialConfig: Configuration Tool through serial

AT Command: Configuring in ATC mode

* Supplementary Software

ezConfig: Configuration Tool for Windows

ezConfig Library: The Library of ezConfig for VC++, VB, Java, and Linux

ezVSP: Serial to Network Virtual Driver for Windows

ezTerm: Simple TCP/IP Communication Test Tool

Wflash: Firmware Upgrade Utility for Windows

* Dimension

Size: 60mm x 123mm x 21mm

Body Netweight: about 60g

* Operating Environment

Input Voltage: : DC 5±0.5V

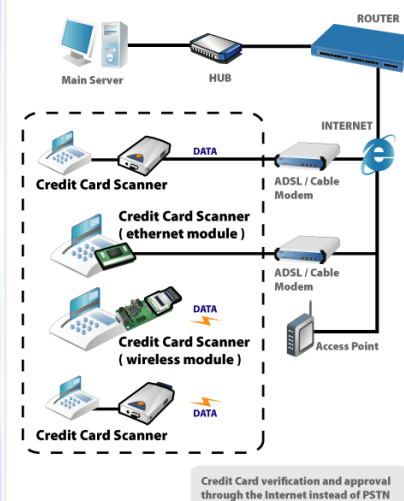
Power Consumption: MAX250mA

(It depends on CF card)

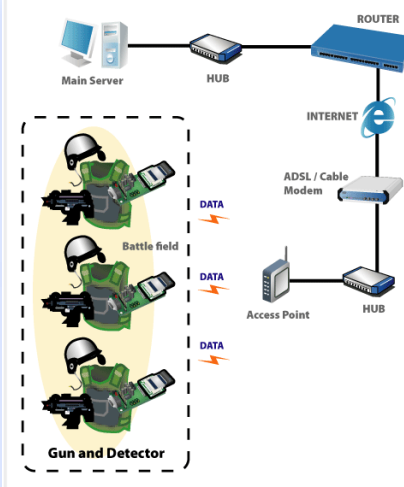
Operating Temperature: 0 °C ~ 55°C

Application Examples

Credit Card Approval through the Internet



Servival game



Sollae Systems Co., Ltd.

http://www.sollae.co.kr Tel +82-32-245-2323 Fax +82-32-245-2327

607 DAELIM BLDG. 592-5 DOHWA1-DONG. NAM-GU INCHEON 402-711 KOREA (REPUBLIC OF)

General Information : ezTCP@sollae.co.kr Sales&Distribution : sales@ezTCP.com Technical Support : support@sollae.co.kr