

# Digilent Spartan-3 System Board

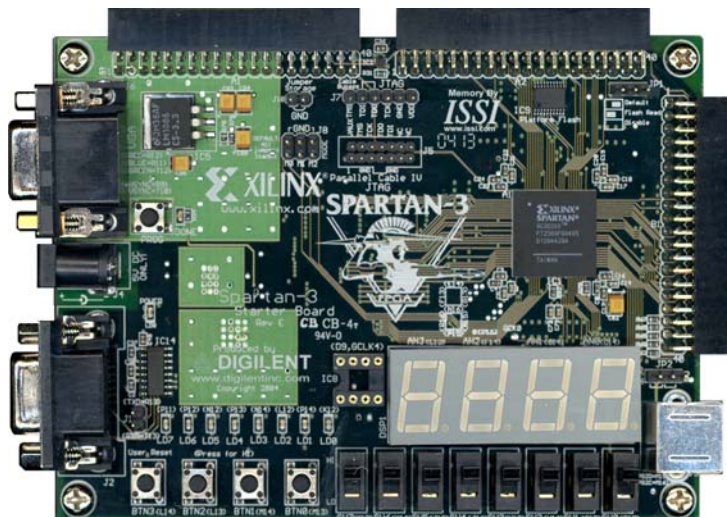


www.digilentinc.com

Revision: June 18, 2004

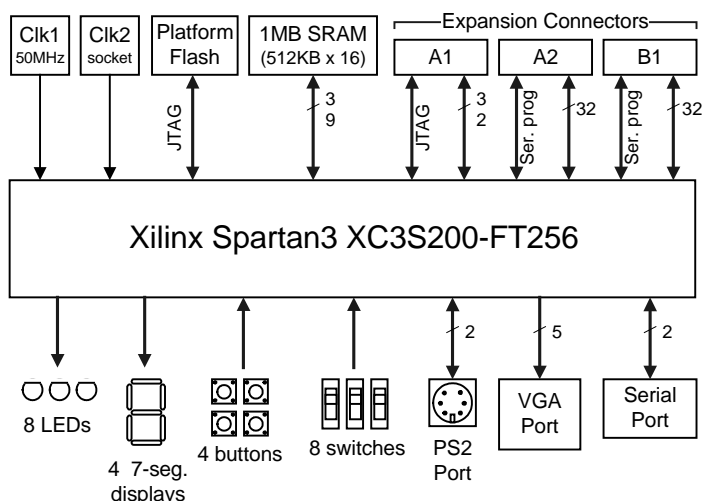
246 East Main | Pullman, WA 99163  
(509) 334 6306 Voice and Fax

The Spartan-3 Starter board provides a powerful, self-contained development platform for designs targeting the new Spartan-3 FPGA from Xilinx. It features a 200K gate Spartan-3, on-board I/O devices, and two large memory chips, making it the perfect platform to experiment with any new design, from a simple logic circuit to an embedded processor core. The board also contains a Platform Flash JTAG-programmable ROM, so designs can easily be made non-volatile. The S-3 Starter board is fully compatible with all versions of the Xilinx ISE tools, including the free WebPack. It ships with a power supply and a programming cable, so designs can be implemented immediately with no hidden costs.



## FEATURES

- 200K gate Xilinx Spartan-3 FPGA with twelve 18-bit multipliers, 216Kbits of block RAM, and up to 500MHz internal clock speeds
- On-board 2Mbit Platform Flash (XCF02S)
- 8 slide switches, 4 pushbuttons, 8 LEDs, and 4-digit seven-segment display
- Serial port, VGA port, and PS/2 mouse/keyboard port
- Three 40-pin expansion connectors
- Three high-current voltage regulators (3.3V, 2.5V, and 1.2V)
- Works with JTAG3 programming cable, and P4 & MultiPRO cables from Xilinx



S3 Starter Board Block Diagram

## APPLICATIONS

- Circuit designs from simple logic to complex controllers
- Embedded processor cores, including MicroBlaze
- Great for educational programs