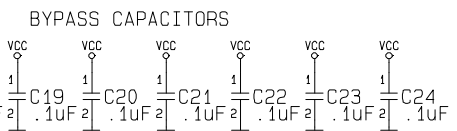
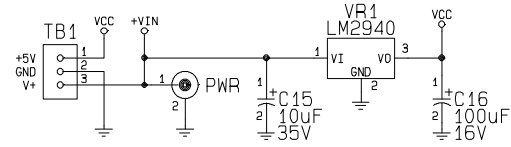
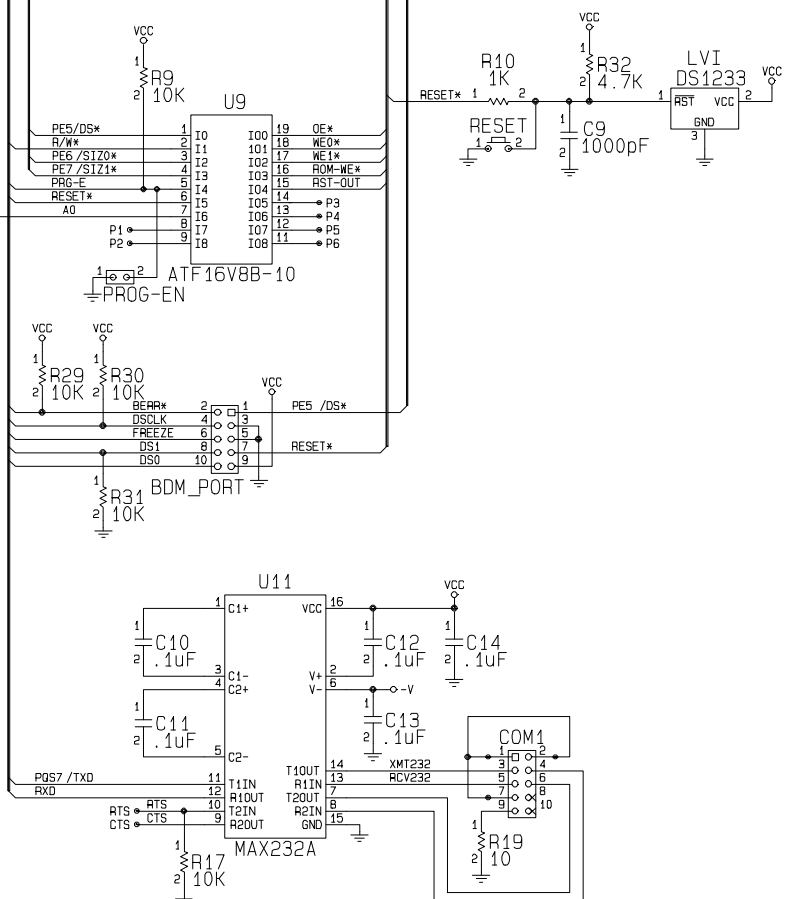
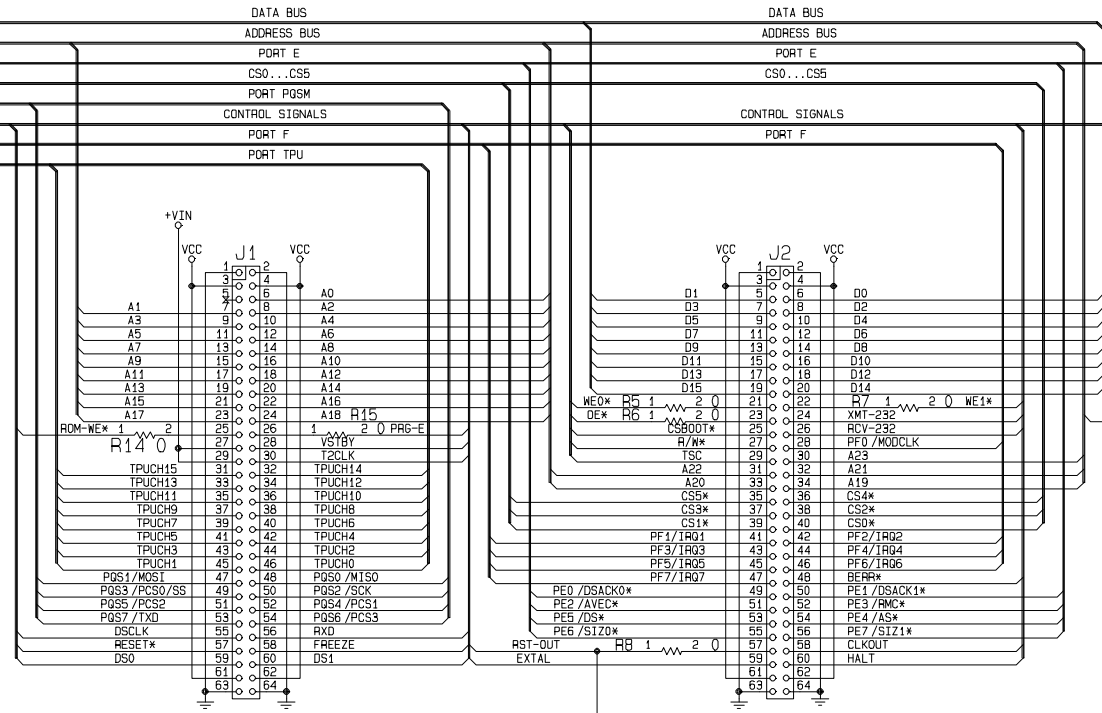


SHEET 1 DATA BUS
 SHEET 1 ADDRESS BUS
 SHEET 1 PORT E
 SHEET 1 CS0...CS5
 SHEET 1 PORT PGSM
 SHEET 1 CONTROL SIGNALS
 SHEET 1 PORT F
 SHEET 1 PORT TPU



		TITLE AXM-0089 CMM68332	
APPROVALS	DATE	SIZE	DWG NO
DRAWN GLM	100300	D	AX-SCH-0187
CHECKED RQF	100300		REV C
PRINTED		SCALE	SHEET 2 OF 2