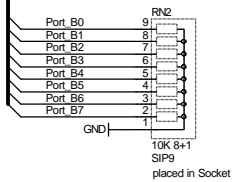
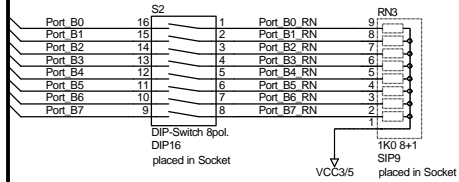
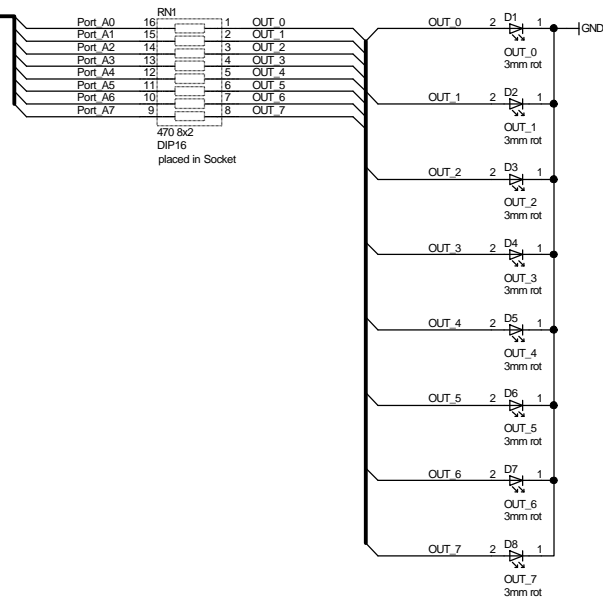


Port A[0..7]
Port B[0..7]

Port A[0..7]
Port B[0..7]



INPUT



OUTPUT