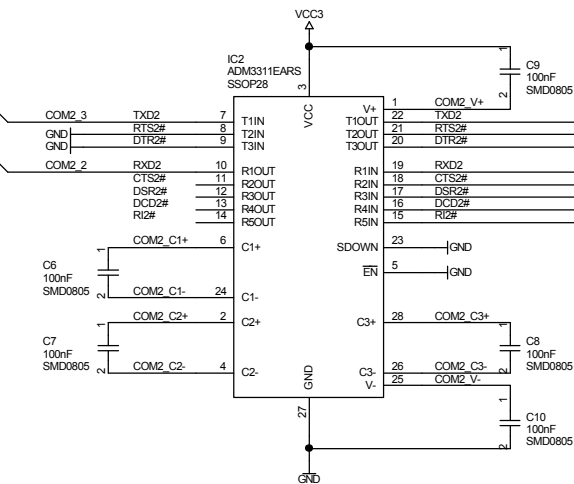
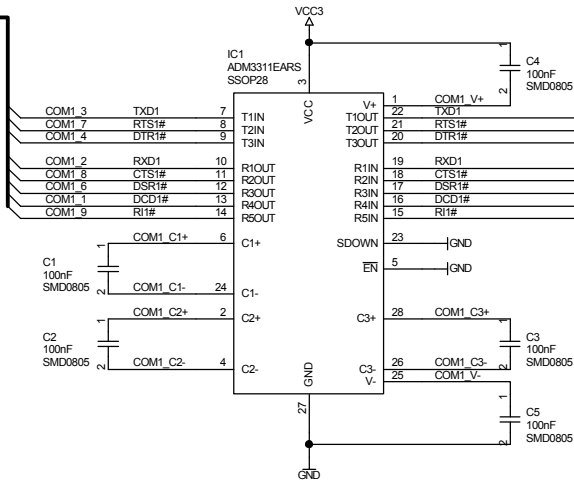


COM1 [1..9] COM1 [1..9]
 COM2 [1..9] COM2 [1..9]



COM1

COM2