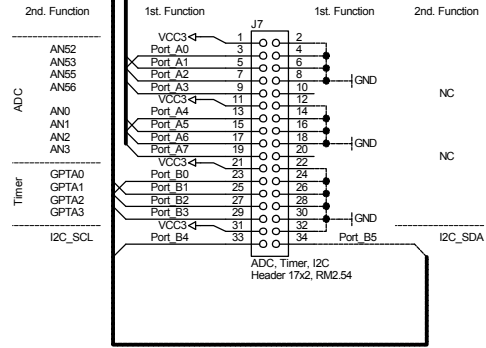
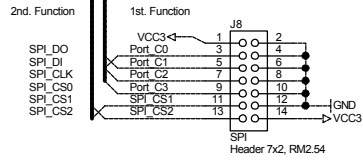


INT1[1..5] INT1[1..5]
 CS#1[1..4] CS#1[1..4]
 RST_OUT# RST_OUT#
 MISC10[28] MISC10[28]
 SA0[19] SA0[19]
 SD0[15] SD0[15]
 CLK_OUT CLK_OUT
 Port_C0[3] Port_C0[3]
 SPI_CS1[2] SPI_CS1[2]
 Port_A0[7] Port_A0[7]
 Port_B0[7] Port_B0[7]

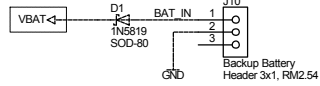
ADC, Timer, I2C



SPI



Battery



Bus

