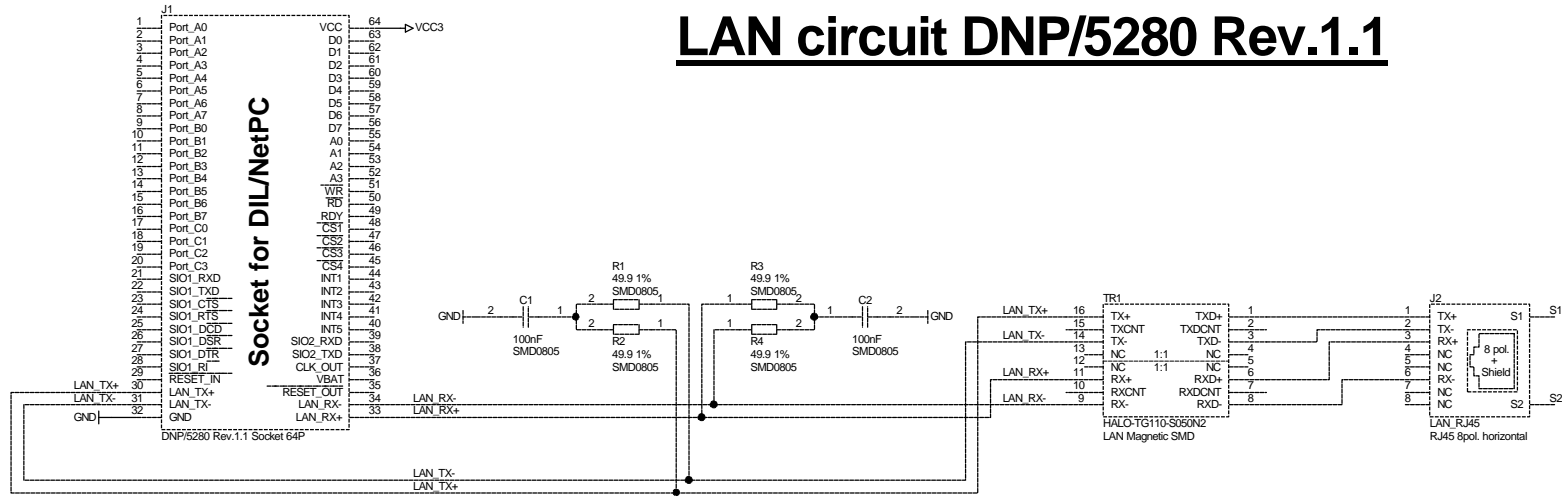
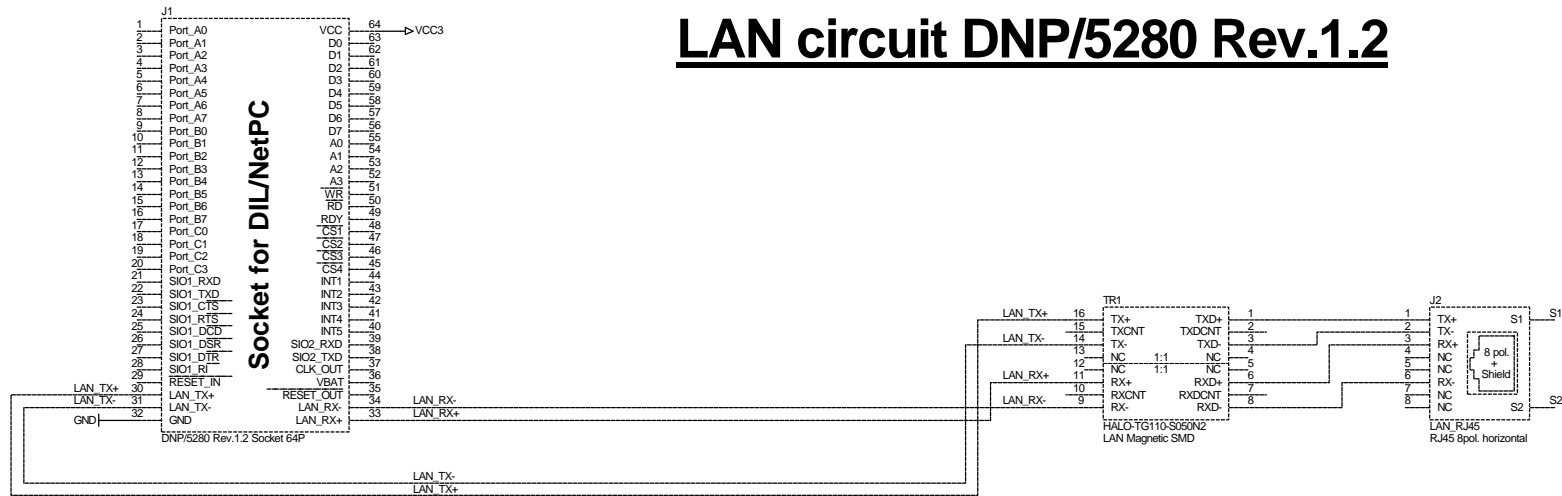


LAN circuit DNP/5280 Rev.1.1



LAN circuit DNP/5280 Rev.1.2



NOTE:

This application note shows the difference between the external LAN circuit for the DNP/5280 Rev.1.10 and DNP/5280 Rev.1.20. Use this application to connect the correct LAN circuit to the DNP/5280 socket. Please remember that this schematic does not contain any parts, that might be necessary to use other functions of the DNP/5280.

SSV
SSV Software Systems GmbH
 Heisterbergallee 72, D-30453 Hannover, Phone: +(49)-511-40000-0, FAX: -40
 DNP/5280 LAN: connector REV 1.0 3 / 3 14-May-2004